

Truck Crane AK 52

As 3- and 4-axle chassis



Technical Data

Permissible gross vehicle weight (t)	26 / 32
Max. payload (kg)	3,000 (optional 6,000/12,000)
Max. extension length (m)	52.0 (optional 55.0)
Working height up to jib (m)	38.0
Jib extendable (m)	6.3 / 10.3 / 14.3
Jib payload (kg)	3,000 / 2,000 / 1,000
Main mast angle (degrees)	85
Boom angle (degrees)	157
Pivoting range (degrees)	endless
Hook speed (m/min)	50
Range for crane operation at 250 kg (m)	43.0
Range for crane operation at 500 kg (m)	40.0
Range for crane operation at 1 t (m)	34.0
Range for crane operation at 2 t (m)	22.0
Range for crane operation at 4 t (m)	13.0
Range for crane operation at 6 t (m)	10.0
Range for crane operation at 12 t (m)	5.0
Range for platform operation with rotating basket (m)	30.0 at 600 kg (33.0 at 350 kg) 33.0 at 250 kg 36.0 at 100 kg (37.0 at 100 kg)
Range for platform operation with non-rotating basket (m)	37.5 at 250 kg 40.0 at 100 kg
Working height with rotating basket max. (m)	51.0
Working height with non-rotating basket max. (m)	53.0

All rights reserved for changes. All specified values are maximum values.






Available with
Böcker^{Connect}
and personal
safety mode!

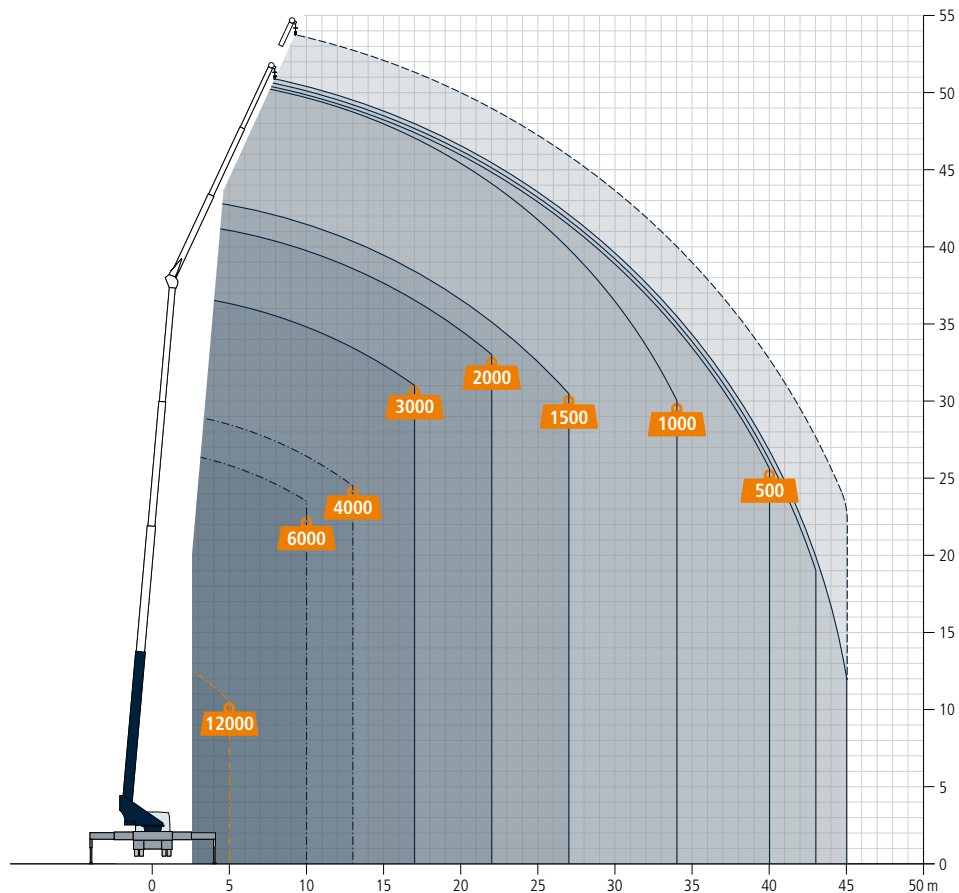
The Böcker AK 52 sets new standards in the class of 26 t trucks as 3-axle and in the 32 t class as 4-axle. Lifting 3,000 kg to a sensational radius of 17 m with a height of 31 m it is most likely the strongest crane in an aluminium-steel design which is currently available on the market.

The AK 52 also reaches new heights when being used as a working platform. Its extendable cage with a width of 3.5 meters it impresses with a load capacity of up to 600 kg. Thanks to its small slewing radius, its highly-modern closed hybrid-telescope boom and its fully-hydraulic, telescopic fly jib of 14 m it is perfect for your job site even when working in tight spaces!

Böcker
MY WAY TO THE TOP

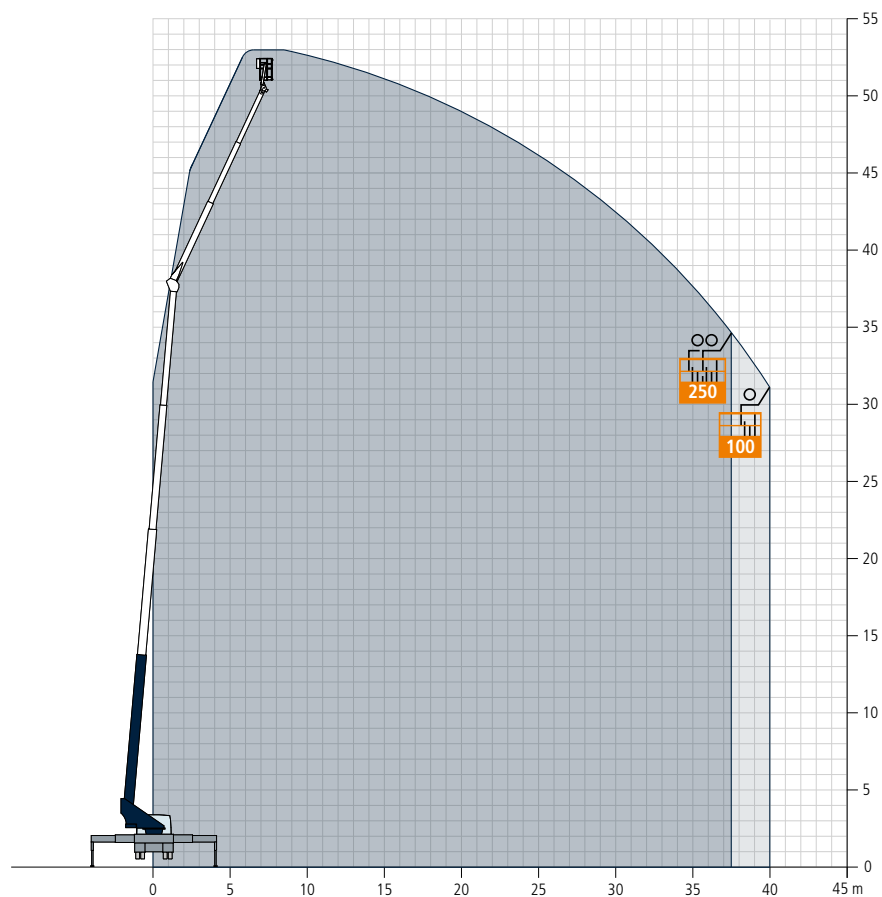
Working range crane operation

-  Load in kg
-  Single-fall operation
-  Two-fall operation
-  Four-fall operation
-  With jib-extension (3 m)



Working range platform operation

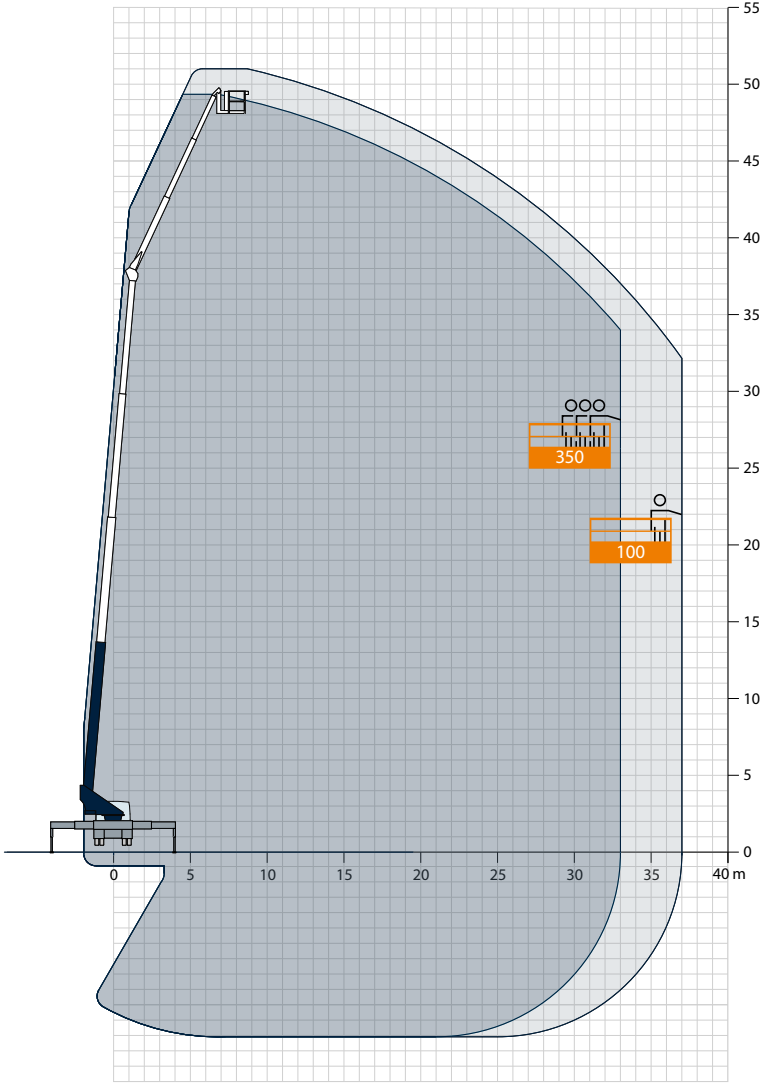
Non-rotating basket PK 250



All weights are in kg.
Measurements can fluctuate slightly.

Working range platform operation

Rotating basket PK 350



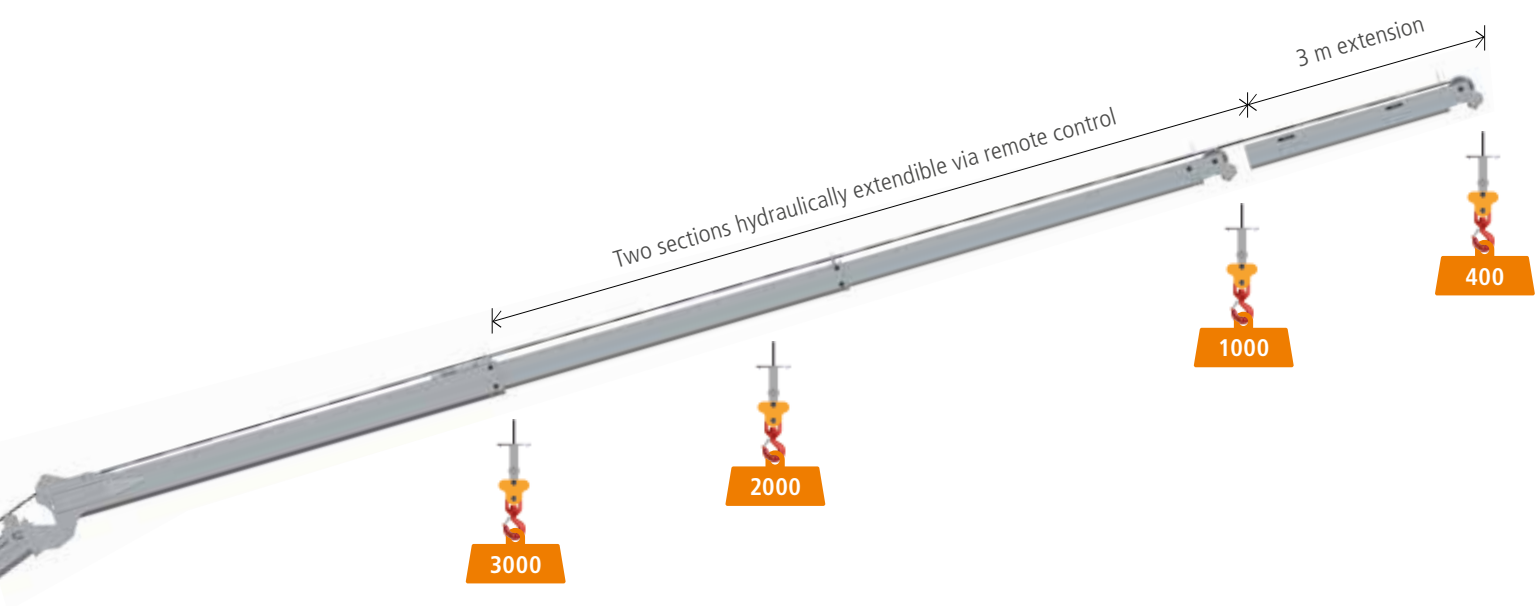
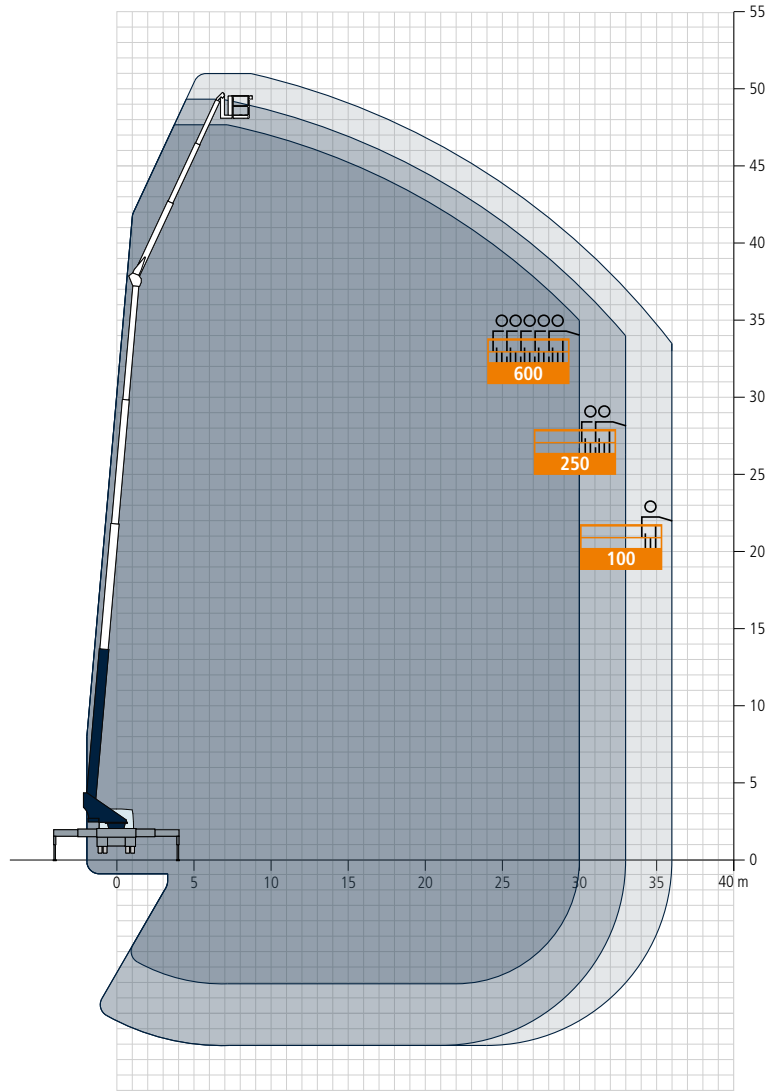
Boom



All weights are in kg.
Measurements can fluctuate slightly.

Working range platform operation

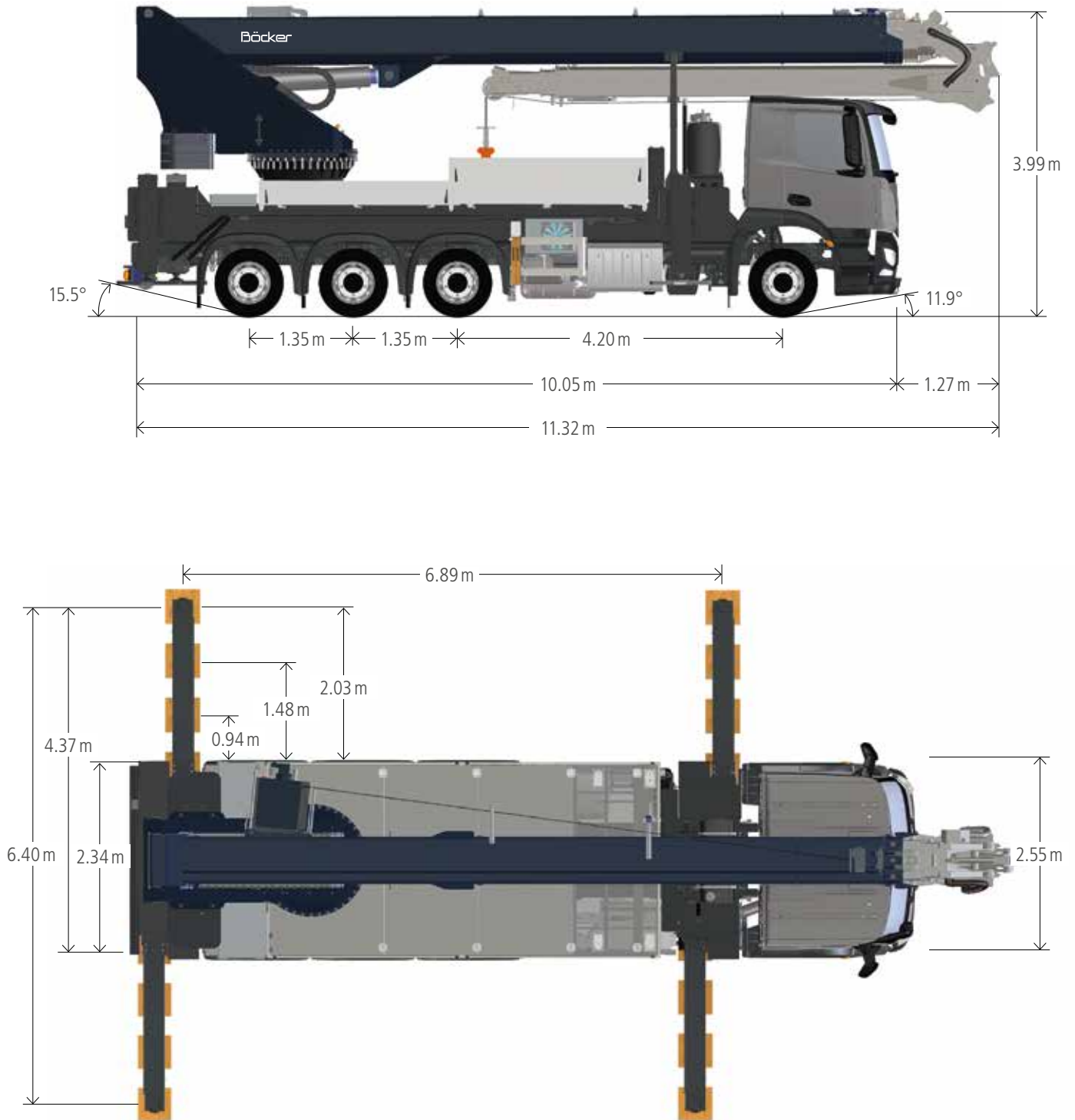
Rotating and extendible work basket PK 600



All weights are in kg.
Measurements can fluctuate slightly.

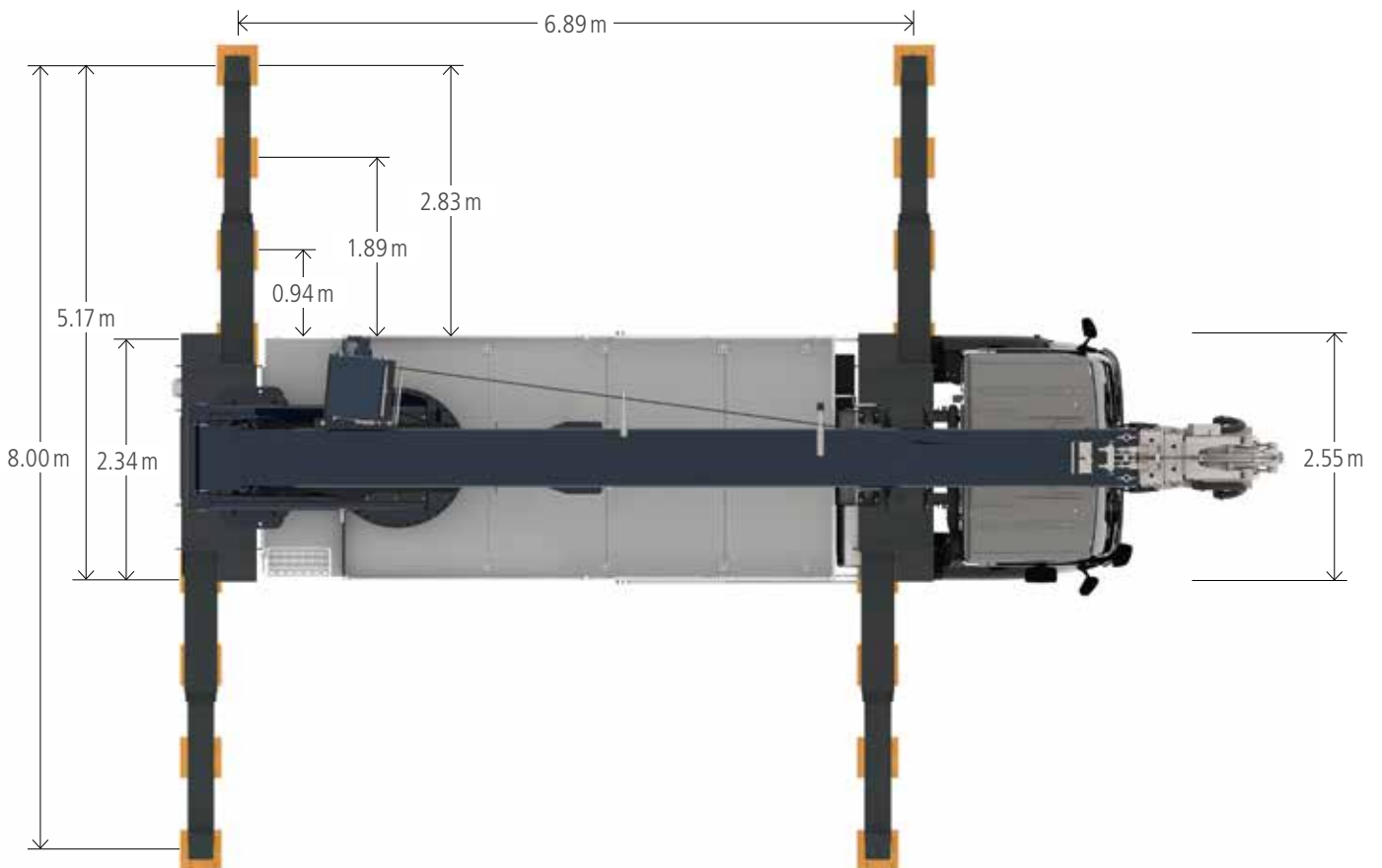
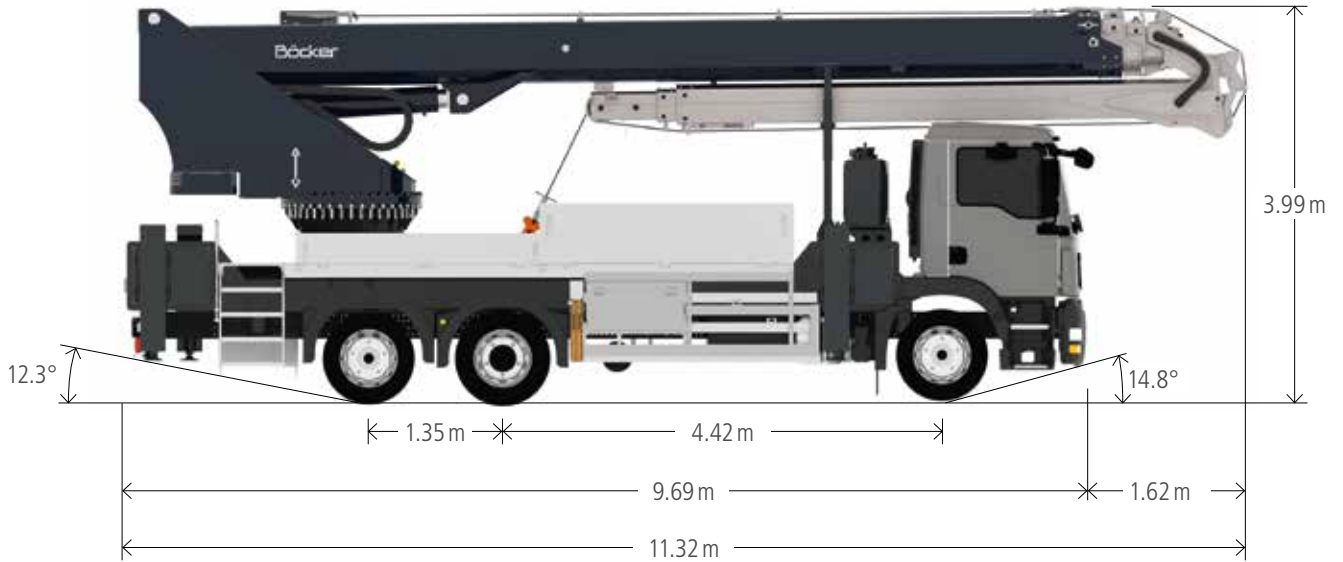
Dimensions

4-axle chassis



Dimensions

3-axle chassis



Boecker

www.boecker.de

Boecker UK Limited

Unit B Grazebrook Industrial Park
Hulbert Drive, Dudley
West Midlands UK-DY2 0XW

Fon +44 1384 476580
info@boecker.co.uk